



# ED-2

## SWIRL DIFFUSER

### DESCRIPTION

The ED-2 simple swirl diffuser is a diffuser with small to medium dimensions. It can be used for low and medium ceiling heights from 2.8 m to 3.5 m.

### CONSTRUCTION

- funnel-shaped housing
- fixed blades
- radial blade arrangement

### MATERIAL AND FINISH

Material options:

- carbon steel sheet metal
- stainless steel sheet metal AISI 304 SB

Standard finish: RAL 9010 matte.

Optional finish: any colour from the RAL palette.

### ACCESSORIES

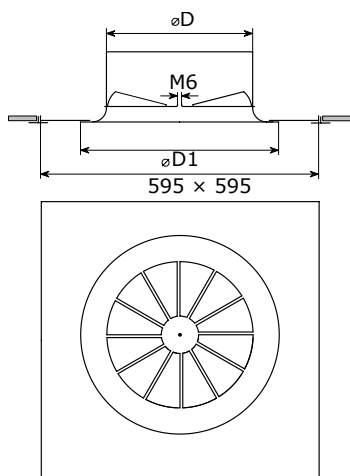
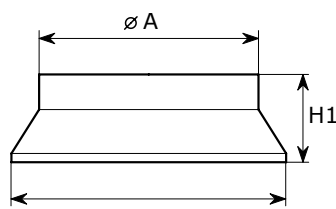
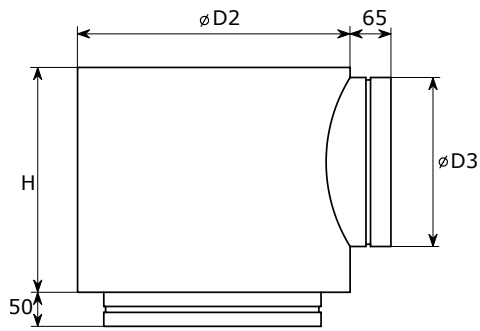


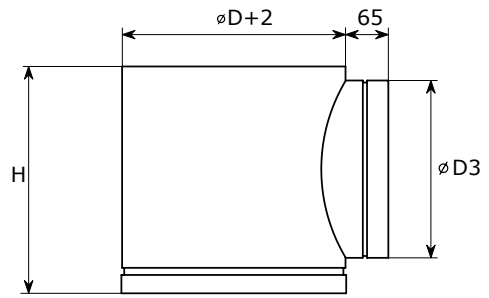
Plate with dimensions 595 x 595 mm for installation in prefabricated ceilings (PL)



RD – reducer

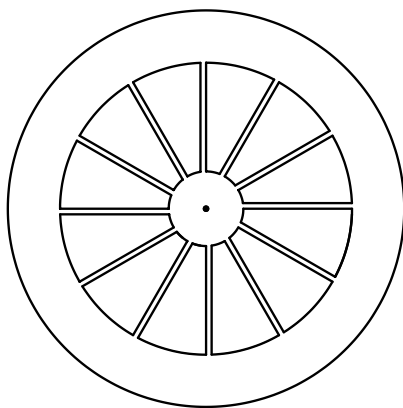
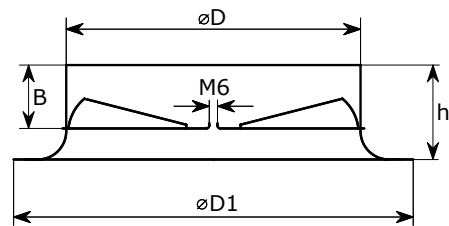
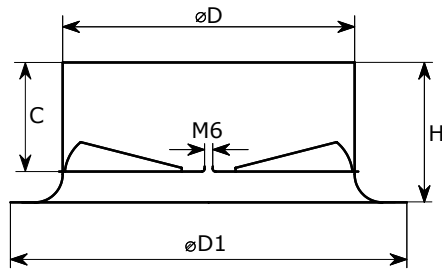


PB-3 round plenum box

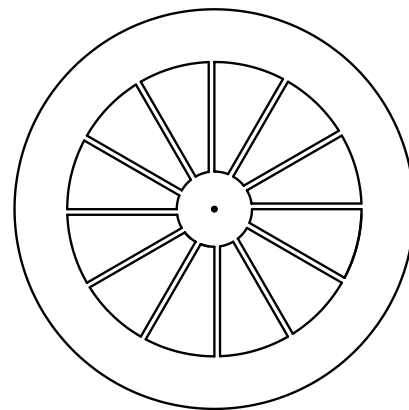


PB-4 round plenum box

DIMENSIONS



ED-2



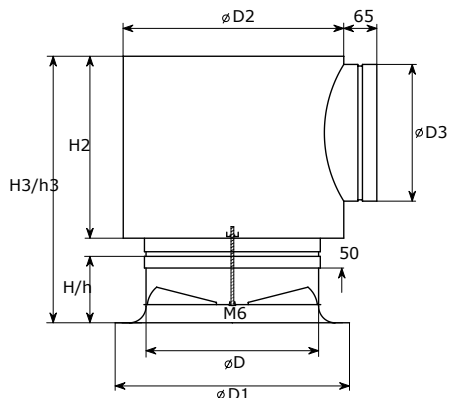
ED-2N – short version of diffuser

	ØD	ØD1	ØD2	ØD3	ØA	B	C	H	h*	H1	H2	H3	h3*	H4	h4*
100	98	150	200	98			50	55	35		170	255	230	205	180
125	123	170	225	98	98	20	40	55	35	70	170	255	235	205	185
160	158	220	260	123	123	30	60	80	50	75	195	305	275	255	225
200	198	280	300	158	158	30	70	105	65	80	230	365	320	315	270
250	248	345	350	198	198	35	80	120	75	80	270	420	375	370	325
315	313	425	415	248	248	40	100	150	90	85	320	500	440	450	390
400	398	530	500	313	313	50	120	180	110	95	385	595	525	545	475
500	498	660	630	398	398		140	220		120	470	720	720	670	670

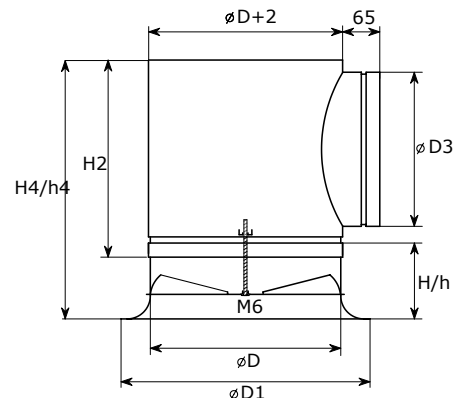
\*Option: short version of diffuser – code ED-2N.

# INSTALLATION ON PLENUM BOX

## WITH A CENTRAL SCREW

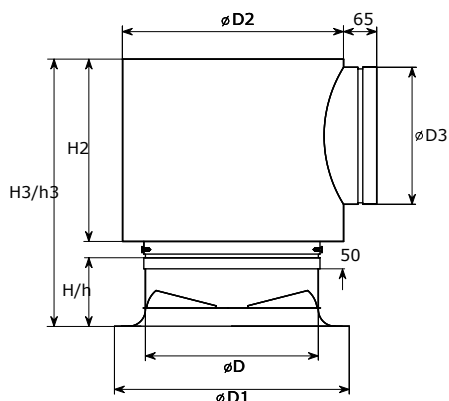


Installation of diffuser ED-2 on plenum box PB-3 with a central screw

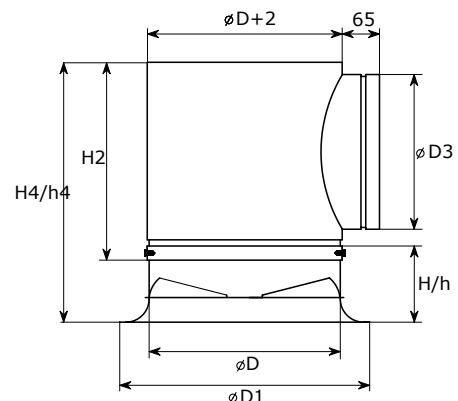


Installation of diffuser ED-2 on plenum box PB-4 with a central screw

## WITH A SIDE SCREW ON THE NECK OF THE DIFFUSER

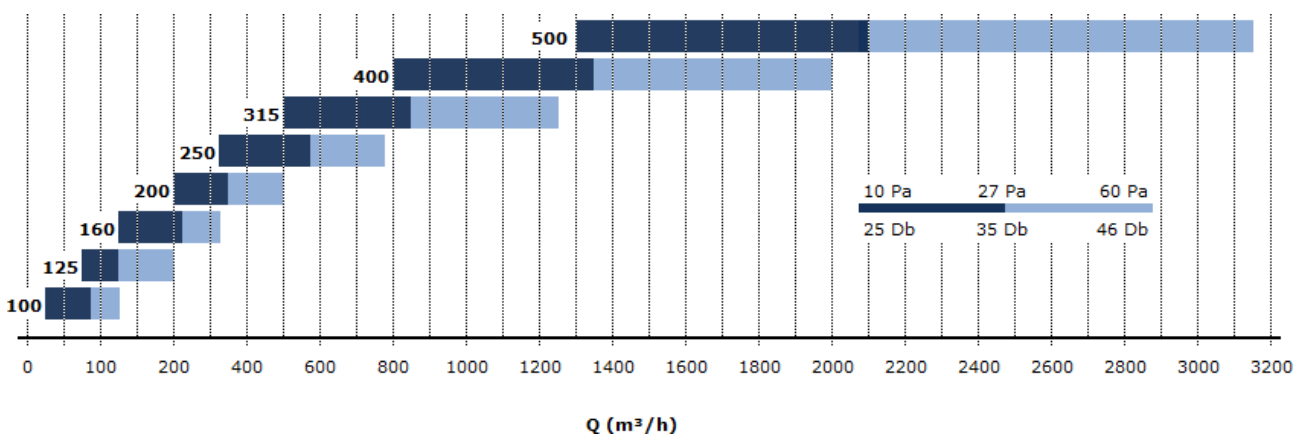


Installation of diffuser ED-2 on plenum box PB-3 with a side screw on the neck of the diffuser



Installation of diffuser ED-2 on plenum box PB-4 with a side screw on the neck of the diffuser

## QUICK SELECTION



# PRODUCT CODE

ED-2	B	315	FE	RAL 9010	PP PL	PB-3	315	/	248	H	L	ISO 6mm
												<p><b>Insulation</b> 6, 10, 13, 19 mm</p> <p><b>Damper</b> L – with damper</p> <p><b>Connection position</b> H – horizontal V – vertical</p> <p><b>Connection dimension</b> Connection dimension in mm</p> <p><b>Plenum box dimension</b> Plenum box dimension in mm</p> <p><b>Plenum box</b> PB-3 – plenum box PB-3 PB-4 – plenum box PB-4</p> <p><b>Accessories</b> RD – reducer PP – perforated dispersing plate PL – plate 595 × 595 mm</p> <p><b>Finish</b> Standard: RAL 9010 matte Optional: any RAL colour</p> <p><b>Material</b> FE – carbon steel sheet metal INOX 304 SB – stainless steel sheet metal AISI 304 SB</p> <p><b>Diffuser dimension</b> 100, 125, 160, 200, 250, 315, 400, 500 mm</p> <p><b>Installation</b> <i>empty</i> – installation with central screw B – without central hole, installation with side screws on the neck of the diffuser</p> <p><b>Product</b> ED-2 – high version of the diffuser ED-2N – short version of the diffuser</p>