



SP-K

RECTANGULAR AIR TOWER

DESCRIPTION

The rectangular air tower is used for the supply of fresh air or for the exhaust of outlet air.

CONSTRUCTION

The air tower consists of a rectangular casing, perforated sheet, blades and a cap. Cap is available in two forms: flat or pointed. At the customer's request, the perforated sheet can be closed on selected sides (type B1, B2, C).



SP-K – 4 sides open



SP-K-B1 – 3 sides open



SP-K-B2 – 3 sides open



SP-K-C – 2 sides open

MATERIAL AND FINISH

Material options:

- galvanized sheet metal
- stainless steel sheet metal AISI 304
- stainless steel sheet metal AISI 316L

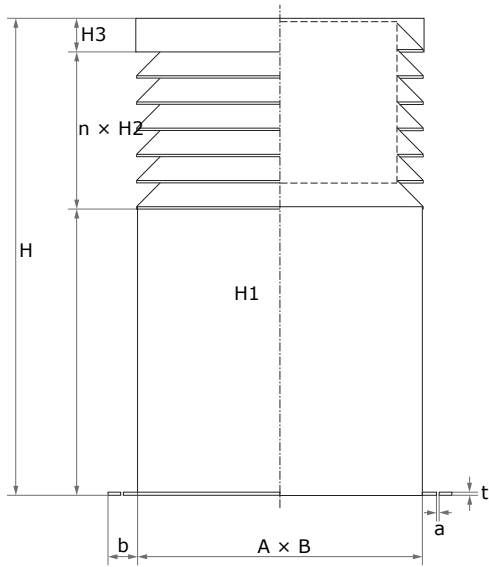
Standard finish for galvanized sheet metal: RAL 9006 matte.

Optional finish: any colour from the RAL palette.

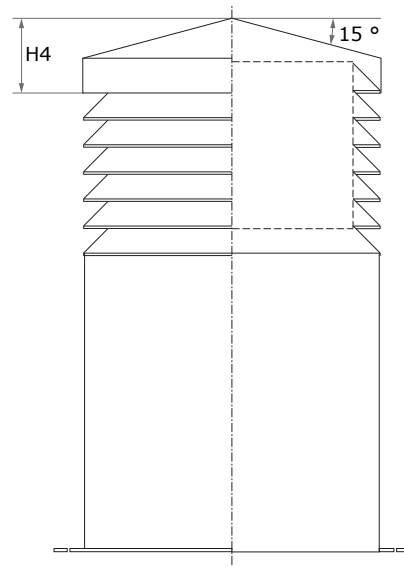
INSTALLATION

With flange on concrete base.

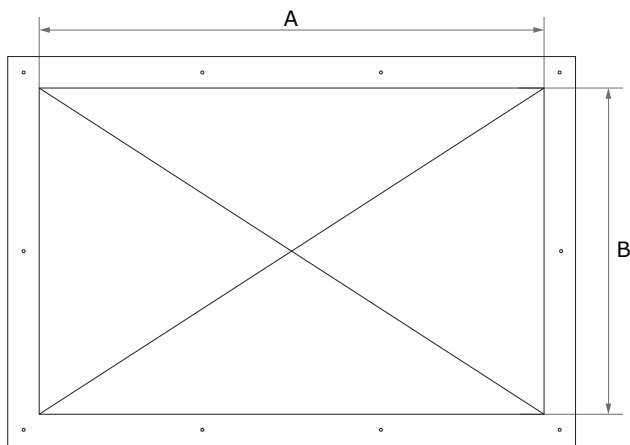
DIMENSIONS



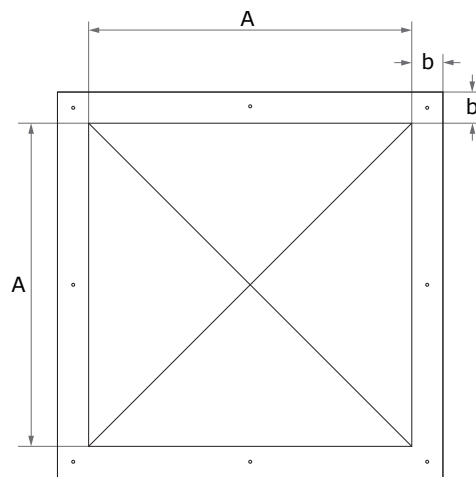
Side view – Flat cap



Side view – Pointed cap



Top view – Rectangular Air Tower



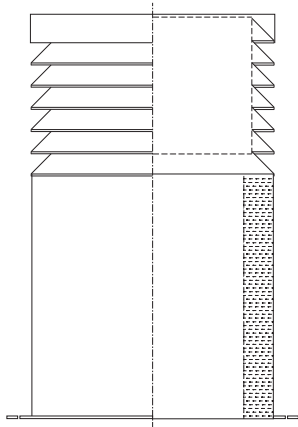
Top view – Square Air Tower

H	200	300	400	500	600	700	800	900	1000	1100	1200	1300	1400	1500	1600	1700	1800	1900	2000
H4	70	83	114	128	159	172	204	217	231	262	275	289	302	315	347	360	373	387	400
H3	43	43	61	61	79	79	97	97	97	115	115	115	115	115	133	133	133	133	133
H2	23	23	41	41	59	59	77	77	77	95	95	95	95	95	113	113	113	113	113
H1	Any dimension																		

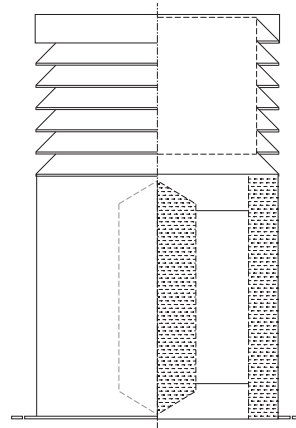
size	a (mm)	b (mm)	t (mm)
$A+B \leq 800$	7	35	3
$800 < A+B \leq 1800$	9.5	45	4
$1800 < A+B \leq 2400$	11.5	50	5
$A+B > 2400$	11.5	50	6

The maximum dimension A x B is 2000 x 2000 mm.

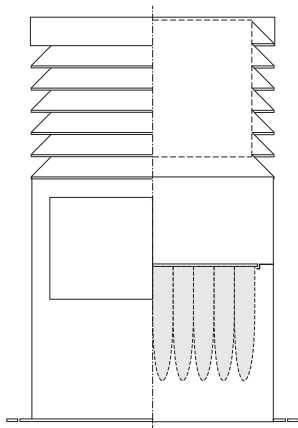
ACCESSORIES



50 or 100mm acoustically and condensation-proof insulated casing



Acoustic panels ($D \geq 400$ mm)



Revision door and filter bag ($D > 500$ mm)

Insect net with 2.5 x 2.5 mm large holes and revision door to allow cleaning of the net.

PRODUCT CODE

SP-K	800	×	800	H=1000	N=5	K1	ZN	RAL 9006M	ISO 50	1200	SUPPLY
<p>Air direction SUPPLY – supply OUTLET – outlet</p> <p>Air volume Air volume in m³/h</p> <p>Accessories ISO 50 – insulation 50 mm ISO 100 – insulation 100 mm K1 – acoustic panels F1 – filter bag IM – insect net RV – revision door</p> <p>Colour RAL 9006 matte (standard for galvanized sheet metal) Optional: any RAL colour</p> <p>Material ZN – galvanized sheet metal INOX 304 – stainless steel sheet metal AISI 304 INOX 316L – stainless steel sheet metal AISI 316L</p> <p>Cap K1 – flat cap K2 – pointed cap</p> <p>Number of blades</p> <p>Height Any dimension</p> <p>Dimension B 200 – 2000 mm</p> <p>Dimension A 200 – 2000 mm</p> <p>Air tower type SP-K – 4 open sides SP-K-B1 – 3 open sides (longer closed) SP-K-B2 – 3 open sides (shorter closed) SP-K-C – 2 open sides</p>											