



SP-R

ROUND AIR TOWER

DESCRIPTION

The round air tower is used for the supply of fresh air or for the exhaust of outlet air.

CONSTRUCTION

- casing
- blades
- cap (flat, pointed or inclined)

MATERIAL AND FINISH

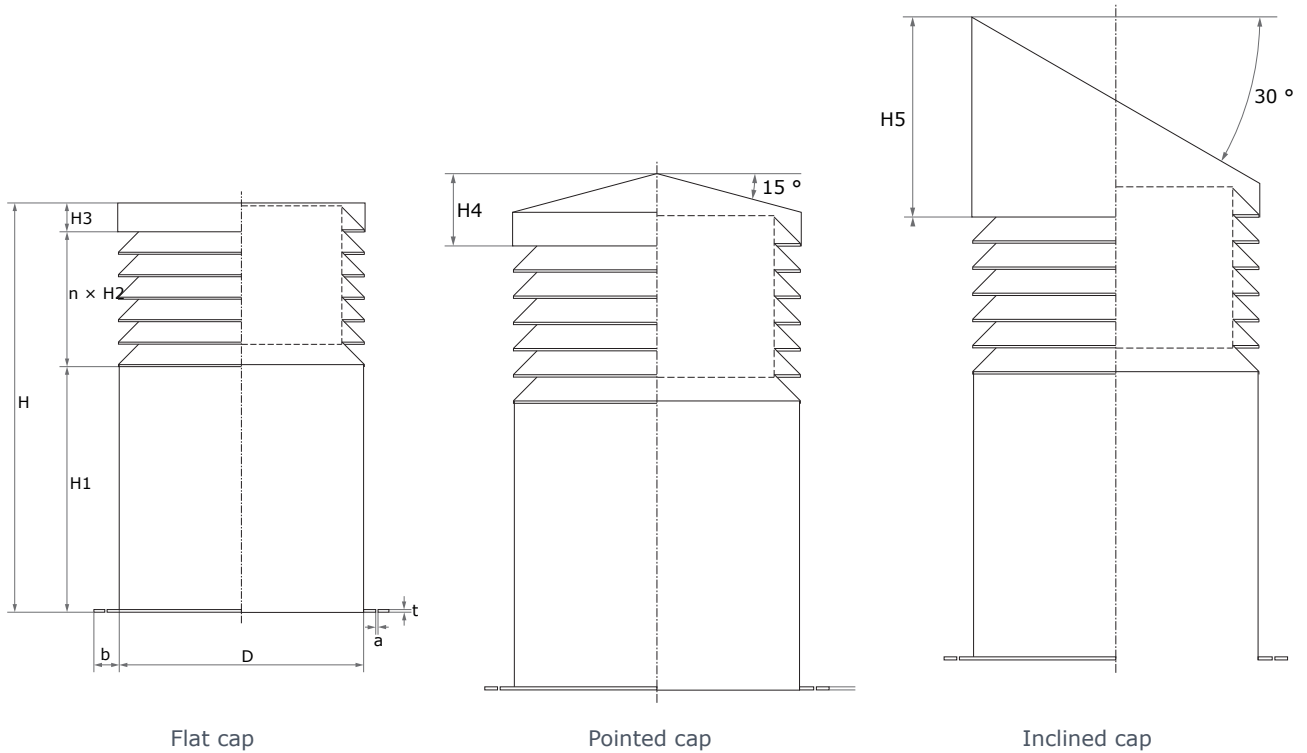
Material options:

- galvanized sheet metal
- stainless steel sheet metal AISI 304
- stainless steel sheet metal AISI 316L

Standard finish for galvanized sheet metal: RAL 9006 matte.

Optional finish: any colour from the RAL palette.

DIMENSIONS

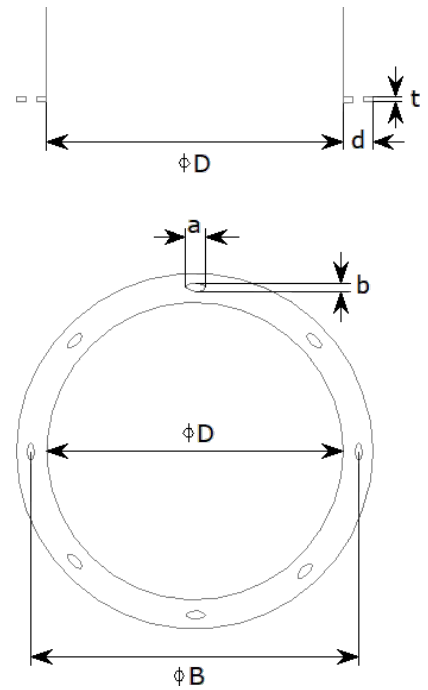


Ø D	160	200	250	315	350	400	500	600	700	800	900	1000	1100	1200	1300	1400	1500	1600
H5	132	155	184	239	260	288	364	422	480	555	613	689	747	804	880	938	996	1053
H4	52	58	64	91	96	103	134	147	161	192	206	237	250	264	295	309	322	335
H3		31			49			67		85			103				121	
H2		21			39			57		75			93				111	
H1	Any dimension																	

INSTALLATION

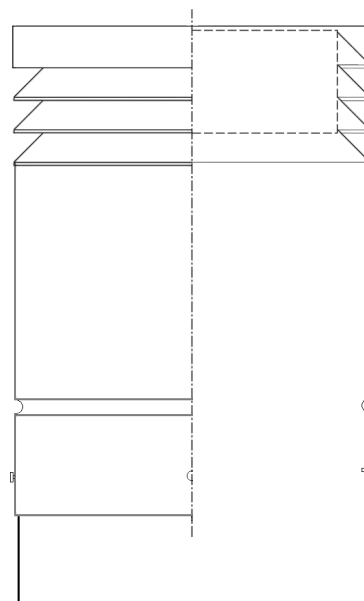
INSTALLATION WITH FLANGE ON CONCRETE FLOOR

Ø D (mm)	Ø B (mm)	a x b (mm)	Bolts	Flange d x t (mm)
160	205	7 x 12	6xM6	35 x 3
200	245	7 x 12	6xM6	35 x 3
250	295	7 x 12	6xM6	35 x 3
315	360	7 x 12	8xM6	35 x 3
350	395	7 x 12	8xM6	35 x 3
400	445	7 x 12	8xM6	35 x 3
500	555	9.5 x 14.5	12xM8	45 x 4
600	655	9.5 x 14.5	12xM8	45 x 4
700	755	9.5 x 14.5	12xM8	45 x 4
800	855	9.5 x 14.5	16xM8	45 x 4
900	955	9.5 x 14.5	16xM8	45 x 4
1000	1060	11.5 x 16.5	24xM10	50 x 5
1100	1160	11.5 x 16.5	24xM10	50 x 5
1200	1260	11.5 x 16.5	24xM10	50 x 5
1300	1360	11.5 x 16.5	24xM10	50 x 6
1400	1460	11.5 x 16.5	24xM10	50 x 6
1500	1560	11.5 x 16.5	24xM10	50 x 6
1600	1660	11.5 x 16.5	24xM10	50 x 6

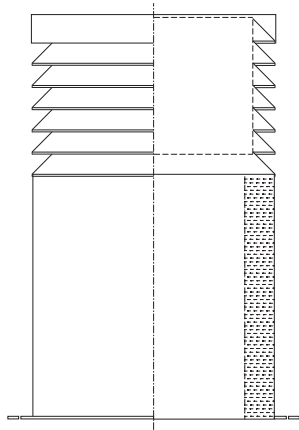


INSTALLATION ON PIPE WITHOUT FLANGE

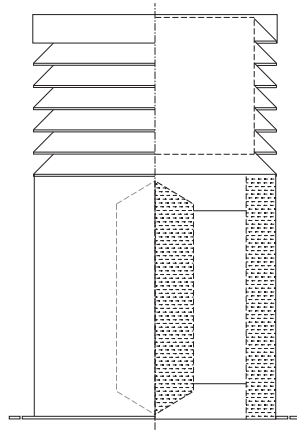
The SP-R is supplied with a flange as standard. Up to dimension D=315 mm it can be manufactured without a flange per customer's request. The air tower is placed on the ventilation pipe and fixed with at least 3 screws.



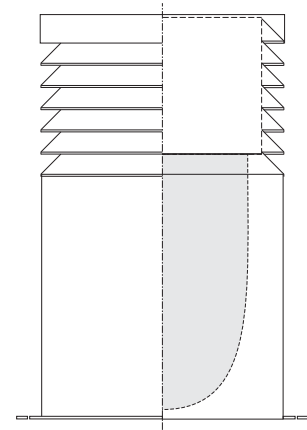
ACCESSORIES



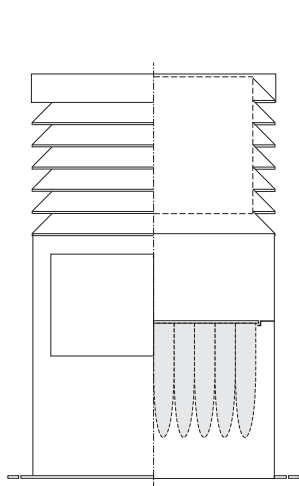
50 or 100 mm acoustically and condensation-proof insulated tube



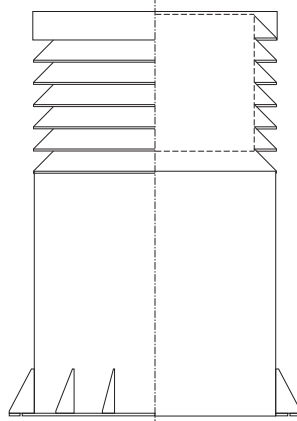
Round sound attenuating core (D ≥ 600 mm)



Removable cap and filter bag (D = 160–500 mm)



Revision door and filter bag (D = 600–1600 mm)



At H > 4000 mm we recommend a 100 mm wide flange and triangular reinforcements for increased stability

Insect net with 2.5 × 2.5 mm large holes. D ≤ 500 mm with removable cap, D ≥ 600 with revision door to allow cleaning of the net.

